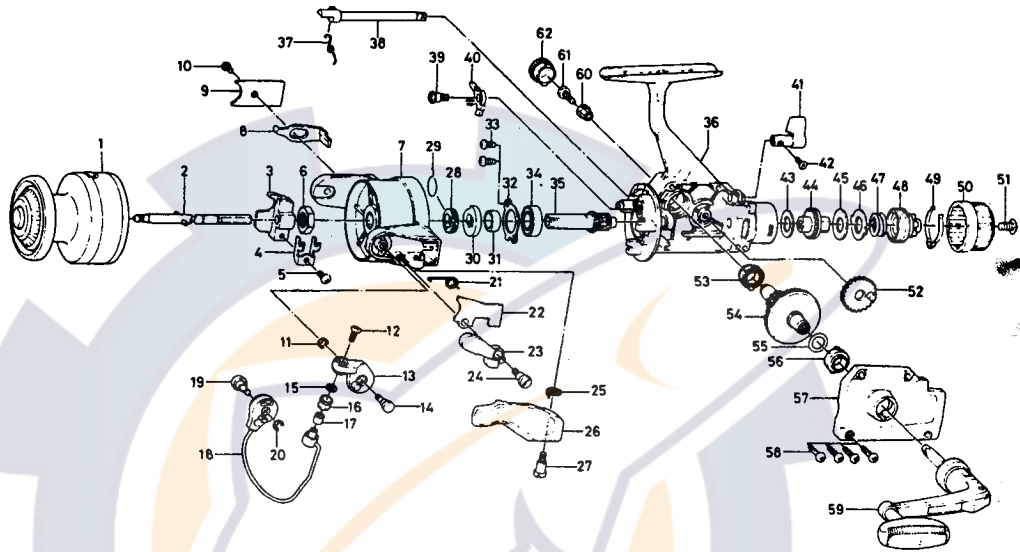




# SPINNING REEL SGA1655/2055/GS900RDA



| Key No. | Parts No. | Parts Name                     | Key No. | Parts No. | Parts Name               |
|---------|-----------|--------------------------------|---------|-----------|--------------------------|
| * 1     |           | Spool                          | * 36    |           | Body                     |
| 2       | B83-9801  | Main shaft                     | 37      | 144-0321  | Anti-reverse cam spring  |
| 3       | B64-0102  | Oscillating slider             | 38      | B83-6001  | Anti-reverse cam         |
| 4       | B49-2501  | Oscillating slider retainer    | 39      | B83-6301  | Anti-reverse claw screw  |
| 5       | 351-1804  | Oscillating slider screw       | 40      | B74-5501  | Anti-reverse claw        |
| 6       | B43-7601  | Rotor nut                      | 41      | B63-8101  | Anti-reverse lever       |
| 7       | B82-1901  | Rotor                          | 42      | B12-8201  | Anti-reverse lever screw |
| 8       | B83-6701  | Bail kick lever                | 43      | B46-9504  | Drag washer A            |
| 9       | B76-9703  | Bail kick lever cover          | 44      | B76-9802  | Click gear               |
| 10      | B83-4401  | Bail kick lever cover screw    | 45      | B78-6601  | Drag washer B            |
| 11      | 320-5901  | Arm lever screw retainer       | 46      | B83-9501  | Drag washer C            |
| 12      | B67-9303  | Bail screw                     | 47      | B91-3701  | Drag knob spring         |
| 13      | B67-4601  | Arm lever                      | 48      | B77-0003  | Drag screw               |
| 14      | B83-3801  | Arm lever screw                | 49      | B77-0301  | Drag washer spring       |
| 15      | B55-4301  | Bail washer                    | 50      | B83-9601  | Drag knob                |
| 16      | 250-3921  | Line roller                    | 51      | 352-1105  | Drag knob screw          |
| 17      | B45-1501  | Roller collar                  | 52      | B74-3701  | Oscillating gear         |
| 18      | B83-6501  | Bail                           | 53      | B84-3901  | Bearing                  |
| 19      | B83-4201  | Bail holder screw              | 54      | B83-6801  | Drive gear               |
| 20      | 320-5901  | Bail holder screw retainer     | 55      | 373-7800  | Drive gear washer        |
| 21      | B76-9101  | Bail spring                    | 56      | B84-3901  | Bearing                  |
| 22      | B83-6401  | Bail spring cover              | * 57    |           | Body cover               |
| 23      | B76-9301  | Trigger plate                  | 58      | B83-5001  | Body cover screw         |
| 24      | B68-8801  | Bail spring cover screw        | 59      | B91-3301  | Handle                   |
| 25      | B67-5201  | Trigger spring                 | 60      | B85-0801  | Handle collar            |
| 26      | B67-5101  | Trigger lever                  | 61      | B90-3301  | Handle screw             |
| 27      | B68-8802  | Trigger screw                  | 62      | B68-2602  | Handle screw cap         |
| 28      | B68-6401  | Spring holder                  |         |           |                          |
| 29      | 145-0901  | Anti-reverse claw spring       |         |           |                          |
| 30      | B67-4301  | Ratchet                        |         |           |                          |
| 31      | B83-6201  | Spacing sleeve                 |         |           |                          |
| 32      | B35-6301  | Ball bearing ret. washer       |         |           |                          |
| 33      | B83-4402  | Ball bearing ret. washer screw |         |           |                          |
| 34      | 636-6011  | Ball bearing                   |         |           |                          |
| 35      | B83-6101  | Pinion gear                    |         |           |                          |

**SGA2055 Special Parts**

|    |          |                 |
|----|----------|-----------------|
| 1  | B84-2501 | Spool           |
| 7  | B82-2101 | Rotor           |
| 8  | B83-7301 | Bail kick lever |
| 18 | B84-0201 | Bail            |
| 36 | B83-5903 | Body            |
| 57 | B83-6903 | Body cover      |
| 59 | B83-7103 | Handle          |

Order by model and part name due to color change.